



AEROFast AUSTRALIA PTY LTD

ABN 23 068 361 455

All correspondence to: PO Box 2225, Logan City DC Qld 4114
 Website: www.aerofast.com.au

BRISBANE

8 Booran Drive
 Woodridge Qld 4114

T: (07) 3299 4555

F: (07) 3299 4566

E: sales@aerofast.com.au

GOLD COAST

1/13 John Duncan Court
 Varsity Lakes Qld 4227

T: (07) 5593 4550

F: (07) 5593 4549

E: coastsales@aerofast.com.au

SUNSHINE COAST

2/34 Premier Circuit
 Warana Qld 4575

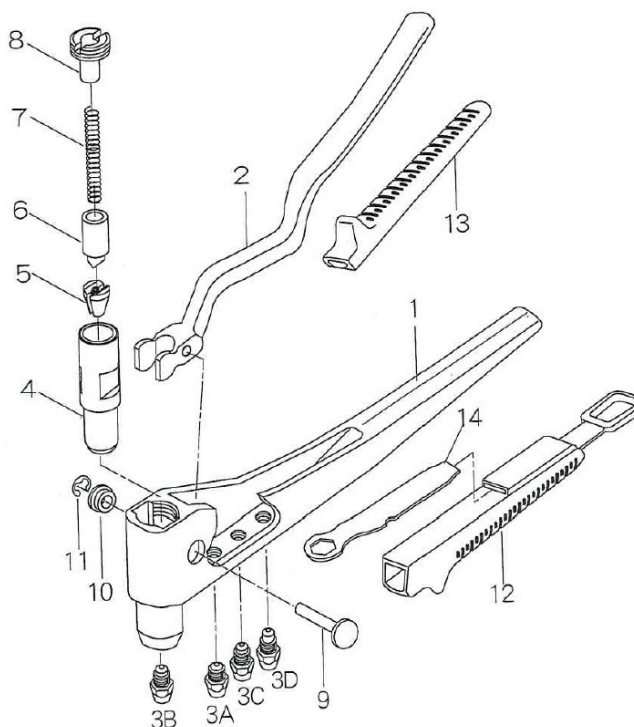
T: (07) 5437 7737

F: (07) 5437 7886

E: suncoastsales@aerofast.com.au

Lobster HR-002D Hand Rivet Tool

Parts Sheet



Index	Old Part No.	New Part No.	Part Name
1	10064	10064	Frame
2	11443	11443	Handle
3A	10027	10027	Nose Piece 2.4mm (3/32")
3B	10028	10028	Nose Piece 3.2mm (1/8")
3C	10029	10029	Nose Piece 4.0mm (5/32")
3D	10030	10030	Nose Piece 4.8mm (3/16")
4	14592	14592	Jaw Case
5	10032	42812	Jaw (Small)
6	10067	10067	Jaw Pusher
7	10068	10068	Spring
8	10069	10069	Retainer
9	18283	42818	Fulcrum Pin
10	10039	42819	Collar
11	10042	10042	E-Retaining Ring
12	10070	42820	Frame Gap
13	10071	42821	Handle Grip
14	10044	42822	Spanner